

GARS MOUTH

VOLUME 58 EDITION 8

AUGUST 2014

[WWW.GARS.NET](http://WWW.GARS.NET)

*Welcome to the Gainesville Amateur Radio Society's Newsletter*

PRESIDENT: PETE WINTERS W4GHP

VICE PRESIDENT: JEFF CAPEHART W4UFL

SECRETARY: SAM ULLMAN K4ZVD

TREASURER: SUSAN TIPTON K9PDL

REPEATER TRUSTEE: SHANNON BOAL K4GLM

TECHNICAL DIRECTOR: WALT JOHNSON W4TKE

CHIEF VE: ALLAN WEST WA4JD

BOARD MEMBERS:

NEWSLETTER EDITOR: PHIL ROYCE KE4PWE

DAVID BIRGE WB9UYK

EVENTS AND ACTIVITIES COORDINATOR:  
NEEDED

SHANNON BOAL K4GLM

WEBMASTER:

JAMES CARR KC4MHH

PHIL ROYCE KE4PWE

ROBERT GUERTIN W1GLV

CAROL CHESNEY KG4FEX

RON SMITH KJ4HBF

EARL SLOAN KI4OXD

---

 PRESIDENT'S CORNER
 

---

## PRESIDENTS CORNER

August 2014

As I look at the year to date, I feel that this has been a good year for GARS. Our events have been successful, and our meetings have increased in attendance and participation. Most of all, the comradery and esprit de corps has grown. Let us endeavor to keep it up and take the year from "Good to Great".

In the way of events, please be advised that our **September General Meeting will be held one week early on September 10<sup>th</sup>, 2014.** The location and time have not changed, just the date. This change is due to travel conflicts with some of the senior officers, and the availability of our speaker for September's program. We will return to the regular schedule of the 3<sup>rd</sup> Wednesday in October 2014.

Our fall schedule will be somewhat restricted by "Gator Fever", i.e. UF's home football game schedule, but does include plans for our annual fall picnic on Saturday, October 25<sup>th</sup>, 2014. The location is yet to be finalized, but it will be at a facility in Gainesville/Alachua County.

The officers and executive board have embarked on a membership drive. Please promote your club to those individuals who ask you, "What is the purpose of that antenna on your vehicle", or your neighbors who see in your trees, or on a ladder "stringing wire". Additionally if you notice an unfamiliar Florida "Amateur Radio" license plate, take a moment and jot the tag number down. Forward that tag number to an officer or executive

board member and we will send them a letter informing them about your club and inviting them to our meetings.

Best of 73's,

Pete Winters

W4GHP

GARSPresident14@yahoo.com

---

 TABLE OF CONTENTS
 

---

Page 1	Executive Staff and Board Members
Page 2	President's Corner, Table of Contents
Page 3,4,5,6,7	Club Happenings, GARS Minutes. Finances
Page 8	Hamfests
Page 9	Key News, Little Humor
Page 10	Space, What is this?
Page 11	Editor, Links, Technical Corner
Page 12	Trade it or she will
Page 13	Credits and Reminders

Send edits, comments, articles to [garseditor@gmail.com](mailto:garseditor@gmail.com)

\*\*\*\*

**You might not think it's important, but your input is wanted for this newsletter. Please send articles of interest, links, and buy, sell or trade to [garseditor@gmail.com](mailto:garseditor@gmail.com)**

\*\*\*\*

---

### FAMOUS WORDS

---



"I don't care that they stole my idea . I care that they don't have any of their own"

— [Nikola Tesla](#)

---

### CLUB HAPPENINGS

---

It has been brought to my attention that we are all getting older and have OPE, if you don't know what that is, you're doing good. So from now on the font of the news articles will be a bit larger.

---

### VE REPORT

---

On Aug 3, 2014 7:31 PM, "Allan West" <[WA4JD@cookie.org](mailto:WA4JD@cookie.org)> wrote:

On Saturday, August 2nd, two people earned new licenses. One earned the Technician license, and the other tested straight to General class.

The next regularly scheduled ARRL license test session will be at Santa Fe College on Saturday, October 4th, 2014. The test will begin at 1:00pm in room P-160. For information on the test, registration or questions contact Allan West by email <[wa4jd@cookie.org](mailto:wa4jd@cookie.org)> or call [352-328-2359](tel:352-328-2359).

There will be a one-day Technician review and test at the Tioga Community Center on Saturday, October 25th, 2014. The review will run from 9:00am - 3:00pm, and a test will follow at 3:00pm. The review is free, and open to anyone in the community.

For information on the one-day review, registration or questions contact

Gary Liljegren by email at <[gary@w4gal.net](mailto:gary@w4gal.net)>

If you would like information about upcoming testing or one day technician classes please contact the individuals below.

For All of Gainesville, and other surrounding areas.

Allan West by email at [WA4JD@cookie.org](mailto:WA4JD@cookie.org)

For the Town of Tioga

Gary Liljegren by email at [gary@w4gal.net](mailto:gary@w4gal.net)

---

### GARS MEETING MINUTES

---

This month we will have multiply entries of meetings and other events, to catch up on the breaking history.

GAINESVILLE AMATEUR RADIO SOCIETY, INC.

MINUTES OF A MEETING OF

THE EXECUTIVE BOARD

(BOARD OF DIRECTORS)

August 7, 2014

A meeting of the Executive Board (Board of Directors) of the Gainesville Amateur Radio Society was held on Thursday, August 7, 2014, at the home of David Birge, WB9UYK, 8015 S.W. 51<sup>st</sup> Blvd., Gainesville, Florida. The meeting was called to order by the President, Pete Winters, W4GHP, at 7:00 o'clock PM. The following members of the Executive Board were in attendance in addition to Mr. Winters:

Jeff Capehart, W4UFL  
David Birge, WB9UYK

Ronnie Smith, KJ4HBF  
Sam Ullman, K4ZVD  
Susan Tipton, K9PDL  
Bob Guertin, W1GLV

Shannon Boal, K4GLM

Also in attendance was Debra Boal, KI4CVS, and Larry Rovak, WB2SVB.

The President announced that Dennis Hardoin, W4DIH, had passed away.

The President called for the Secretary's Report. The Secretary announced that the minutes from the Executive Board Meeting of July 10, 2014, and the General Membership Meetings of June 18 and July 16, 2014, have been sent to Phil Royce, GARS MOUTH Editor, for posting. The President delayed a vote on the minutes until after they have been posted on GARS MOUTH and comments have been received. That vote will be taken at the General Membership Meeting on Thursday, August 21, 2014. The Secretary also announced that GARS had received a letter from Gethsemane Lutheran Church acknowledging GARS' contribution to the church of \$150.00 in thanks for allowing GARS to hold Field Day at the church. He circulated a copy of the letter.

The President called for the Treasurer's Report. The Treasurer delivered her report.

The President called for the GARS MOUTH Report. Phil Royce was not present at the meeting, and so there was no GARS MOUTH Report.

The President called for the report of the Repeater Trustee. Shannon Boal, the Repeater Trustee, reported that although there were some lightning strikes at the repeater site, the grounding had worked fine and there was no damage. Shannon announced that a work day is scheduled for September 27<sup>th</sup>. There will also be a smaller work day at the repeater site on September 6<sup>th</sup> for the purpose of photographing and inventorying the equipment for insurance purposes.

The President announced that the GARS picnic is scheduled for October 25<sup>th</sup>. The location has not yet been determined. The President also announced that Winter Field Day will be held on January 24, 2015. The location is tentatively scheduled for Marjorie Kinnan Rawlings Park in Cross Creek. The tentative plan would call for Field Day activities to be concluded by 3:30, and the group's having dinner at The Yearling Restaurant, which is adjacent to the Park.

The President called for the Vice President's Report, including the ARES/RACES Report. The Vice President announced that GARS will be helping the Red Cross update the antenna on the roof of its building. He would ask for a work party to look at the building in order to plan what kind of antenna would work best.

The Vice President then discussed plans for programs at the upcoming General Membership Meetings. Scott Coker, communications coordinator for ShandsCair will speak at the August meeting. The September meeting will include a presentation by both Gary Liljegren, W4GAL, on the JP-9 system, and a showing of the CD discussing the 100-year history of the ARRL.

The President announced that the General Membership Meeting regularly scheduled for September 17<sup>th</sup> will be moved up to September 10<sup>th</sup> to accommodate travel schedules of some of the senior officers.

The President announced that GARS is continuing the program of increasing its membership. In that regard, the President is sending letters to new hams and hams who have recently moved to the community.

The Vice President announced that GARC station, W4DFU, appears to have passed its Fire Inspection.

The President announced that Shannon Boal had recommended that Chris Carr be recognized at the next General Membership Meeting for his outstanding service at Field Day and be presented with the Club's ARRL medal. On motion, duly made, seconded and unanimously adopted, the recommendation was accepted.

The President announced that next meeting of the Executive Board will be on Thursday, September 4, 2014, at 7:00 o'clock PM at the home of David Birge, 8015 S.W. 51<sup>st</sup> Blvd., Gainesville, Florida 32608 (ph. 352-379-0239).

There being no further business to come before the meeting, the same was, on motion duly made, seconded and unanimously adopted, adjourned at 8:30 o'clock PM.

---

Samuel C. Ullman, Secretary

---

GAINESVILLE AMATEUR RADIO SOCIETY, INC.

MINUTES OF A MEETING OF  
THE GENERAL MEMBERSHIP

JULY 16, 2014

A meeting of the General Membership of the Gainesville Amateur Radio Society was held on Thursday, July 16, 2014 at the AvMed Building, 4300 N.W. 89<sup>th</sup> Blvd., Gainesville, Florida. The meeting was called to order by the President, Pete Winters, W4GHP, at 6:30 o'clock PM.

The President led the Pledge of Allegiance to the flag and the introduction of the members.

Thirty-one people were in attendance, including hams and prospective hams.

The Secretary gave his report. Upon motion duly made, seconded, and unanimously adopted, the report was accepted.

The Treasurer gave her report. Upon motion duly made, seconded, and unanimously adopted, the report was accepted.

The President called for the Repeater Report. The Repeater Trustee, Shannon Boal, K4GLM, was not present. In Shannon's absence, however, the President reported that the repeater suffered a lightning strike, but that everything seemed to be working fine.

The Vice President gave his report. Upon motion duly made, seconded, and unanimously adopted, the report was accepted.

The President gave a report on the Field Day operations. He thanked Shannon Boal, Chris Carr and others for their hard work in making the Filed Day Operations successful. He also asked the members of the club to extend their thanks to Domino's Pizza, which provided pizza without charge over the Field Day weekend. The President announced that GARS had made a contribution of \$150.00 to Gethsemane Lutheran Church, in appreciation of its hosting the GARS Field Day operations,

The President called for Old Business. He announced that the special committee appointed for fact-finding with respect the request for technical assistance had contacted WGOT-LP to arrange a meeting, but that WGOT-LP had not gotten back to him. He announced that GARS was dropping the project.

The President called for New Business.

Carol Chesney discussed GARS' participating in a "bow tie" project. The President authorized Carol to proceed and find further information.

The President discussed HR 4969, The Amateur Radio Parity Act, presently pending before the United State Congress, regarding amateur radio antennas. He asked the members to contact their respective Congressmen to urge support for the bill.

Bill Dion, of the American Red Cross, presented the program. He thanked GARS, its members and all amateur radio operators, for providing important service to the American Red Cross and to the community in times of emergency.

There being no further business to come before the meeting, the same was, on motion duly made, seconded and unanimously adopted, adjourned at 8:00 P.M.

---

Samuel C. Ullman, Secretary

---

Previous Meeting Minutes of June 2014

GAINESVILLE AMATEUR RADIO SOCIETY, INC.

MINUTES OF A MEETING OF  
THE GENERAL MEMBERSHIP

June 18, 2014

A meeting of the General Membership of the Gainesville Amateur Radio Society was held on Thursday, June 18, 2014 at the AvMed Building, 4300 N.W. 89<sup>th</sup> Blvd., Gainesville, Florida. The meeting was called to order by the President, Pete Winters, W4GHP, at 6:30 o'clock PM.

The President led the Pledge of Allegiance to the flag and the introduction of the members.

Twenty-nine people were in attendance, including hams and prospective hams.

The Secretary gave his report. Upon motion duly made, seconded, and unanimously adopted, the report was accepted.

The Treasurer gave her report. She announced that a raffle of the ARRL Gift Certificate that GARS had received will be held at Field Day. Upon motion duly made, seconded, and unanimously adopted, the report was accepted.

Phil Royce, KE4PWE, gave the GARS MOUTH report. He asked that members submit information to him for posting on the website. His email address is [GARSEditor@gmail.com](mailto:GARSEditor@gmail.com).

The sickness and health report was delivered.

The President called for the report of the Repeater Trustee, Shannon Boal, K4GLM. Shannon announced that the .985 frequency is working, although it is a little bit scratchy. Shannon is working to have a phone line and an inexpensive DSL line in order to give the club better control of the equipment.

The President led a discussion of the plans for Field Day, scheduled for June 28<sup>th</sup> and 29<sup>th</sup> at the Gethsemane Lutheran Church, 4011 NW 34<sup>th</sup> Street, Gainesville, FL 32605. Two stations will be operated. One of the stations will be run by operators to whom specific times will have been assigned. The other station will be open for

operation by anyone who is present and appropriately licensed. The operating times for Field Day will be from 2 PM Saturday, June 28<sup>th</sup> until 2 PM Sunday, June 29<sup>th</sup>. Operations will be torn down from 2 – 5 PM on Sunday afternoon.

The President called for the report of the Vice President. The Vice President announced that the Red Cross would present the program for the July meeting. The program for the August meeting would feature Scott Coker, KG4YNH, who is the radio coordinator for Shands Care.

The President announced that the GARS Picnic has been scheduled for October. Details will be announced.

The President announced that Governor Rick Scott had proclaimed June 23 – 29 as Amateur Radio Week. The President distributed a copy of Governor Scott's Proclamation for review by the members.

The President called for New Business. Harold Salve, N4KWB, announced that WGOT-LP, a sec. 501(c)(3) organization, would like the assistance and cooperation of GARS on technical projects for the station, such as antennas. The President announced that he would appoint a committee to study the request and report back to GARS.

There being no further business to come before the meeting, the same was, on motion duly made, seconded and unanimously adopted, adjourned at 8:05 P.M.

Samuel C. Ullman, Secretary

If the spelling of names is incorrect please excuse the entries, as editor I do not know them all.

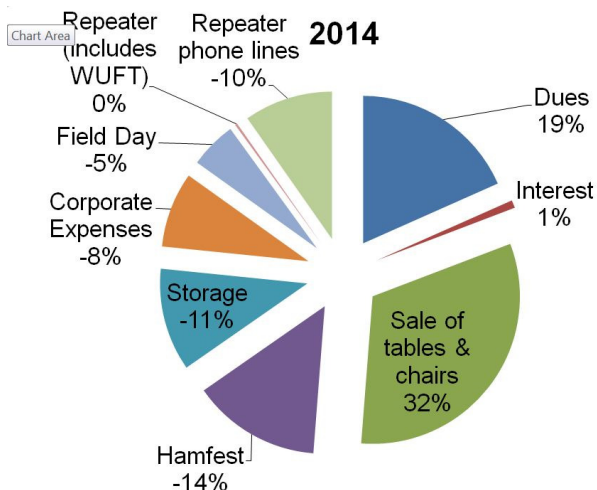
### GARS FINANCES

Your membership dues are due as of January 1, and you will be out of membership if you laps after March 31, so please renew and support your club.

\$\$\$

To be able to provide activities such as the club picnic, Christmas party, the club "repeaters", food and materials for Field Day, Hamfest, etc. it takes \$\$\$\$. Support GARS by paying your dues, the dues are due January 1 of every year, and so see Susan Tipton at the general meeting before the meeting starts. Even give a little more for the activities that make GARS and active association. A small note that even the donut money at the meetings, supports the GARS, so have a cup and a bit of sugar and spice and some camaraderie and top off that donation cup.

GARS financial report will be provided at the general meeting and will not be published in the GARS Mouth.



### UPCOMING EVENTS

Don't forget that there will be winter Field Day again this year. Bring out your tools and your toys and setup communications and have a great event with the GARS members. All are welcome.

08/23/2014 | [TARCFEST XXXII](#)

**Location:** Tampa, FL  
**Type:** ARRL Hamfest  
**Sponsor:** Tampa Amateur Radio Club  
**Website:** <http://www.hamclub.org>

10/04/2014 | [OPARC HAMFEST TAILGATE](#)

**Location:** Jacksonville, FL  
**Type:** ARRL Hamfest  
**Sponsor:** Orange Park Amateur Radio Club  
**Website:** <http://oparc.net/hamfest>

10/10/2014 | [FLORIDA STATE CONVENTION \(MELBOURNE HAMFEST\)](#)

**Location:** Melbourne, FL  
**Type:** ARRL Convention  
**Sponsor:** Platinum Coast Amateur Radio Society  
**Website:** <http://www.pcars.org>

11/08/2014 | [SPARCFEST](#)

**Location:** Pinellas Park, FL  
**Type:** ARRL Hamfest  
**Sponsor:** St. Petersburg Amateur Radio Club  
**Website:** <http://www.sparc-club.org>

11/15/2014 | [FREE FLEA](#)

**Location:** Coral Gables, FL  
**Type:** ARRL Hamfest  
**Sponsor:** Flamingo Net ARC / University of Miami ARC  
**Website:** <http://www.flamingonet.8m.net>



12/12/2014 | [WEST CENTRAL FLORIDA SECTION CONVENTION \(TAMPA BAY HAMFEST\)](#)

**Location:** Plant City, FL  
**Type:** ARRL Convention  
**Sponsor:** Florida Gulf Coast Amateur Radio Council  
**Website:** <http://tampabayhamfest.org>

To become an Amateur Radio operator, check out this website link. <http://www.arrl.org/what-is-ham-radio>

KEY NEWS

Daily Morse Code Practice QST Source

<b>9 AM Code Practice - D</b>	Monday (No AM practice)	Tuesday - Fast	Wednesday - Slow	Thursday - Fast	Friday - Slow
		08/12/2014	08/13/2014	08/14/2014	08/15/2014
		12/13 QST	12/13 QST	12/13 QST	11/13 QST
		page 95	page 55	page 42	page 75
<b>4 PM Code Practice - C</b>	Monday - Fast	Tuesday - Slow	Wednesday - Fast	Thursday - Slow	Friday - Fast
	08/11/2014	08/12/2014	08/13/2014	08/14/2014	08/15/2014
	12/13 QST	12/13 QST	12/13 QST	11/13 QST	12/13 QST
	page 52	page 89	page 39	page 76	page 64
<b>7 PM Code Practice - B</b>	Monday - Slow	Tuesday - Fast	Wednesday - Slow	Thursday - Fast	Friday - Slow
	08/11/2014	08/12/2014	08/13/2014	08/14/2014	08/15/2014
	12/13 QST	12/13 QST	11/13 QST	12/13 QST	12/13 QST
	page 56	page 35	page 47	page 43	page 9
<b>10 PM Code Practice - A</b>	Monday - Fast	Tuesday - Slow	Wednesday - Fast	Thursday - Slow	Friday - Fast
	08/11/2014	08/12/2014	08/13/2014	08/14/2014	08/15/2014
	12/13 QST	11/13 QST	12/13 QST	11/13 QST	12/13 QST
	page 49	page 60	page 33	page 77	page 40

A LITTLE HUMOR



HE IS CHARGED WITH THE INDUCTION OF AN 18 TURN COIL NAMED MILLI HENRY WHO WAS FOUND CHOKED AND ROBBED OF VALUABLE JOULES. HE IS ARMED WITH A CARBON ROD AND IS A POTENTIAL KILLER. CAPACITY IS ALSO CHARGED WITH DRIVING DC MOTOR OVER A WHEATSTONE BRIDGE AND REFUSING TO LET THE BAND-PASS.

SHACK OF THE MONTH 1930

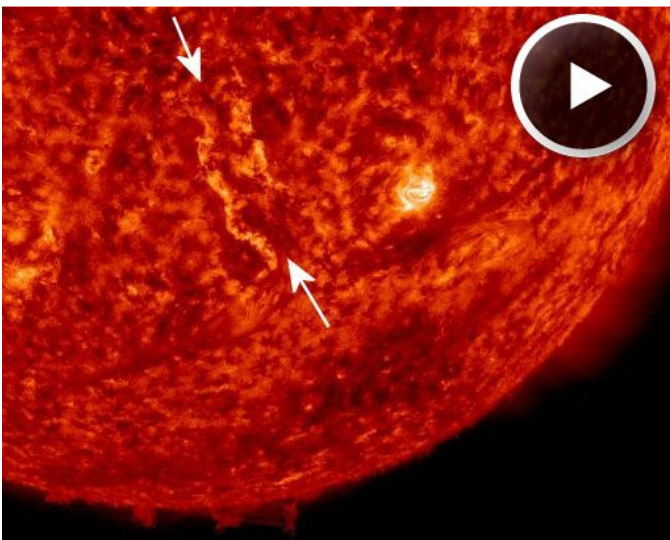


---

 SPACE WEATHER
 

---

ERUPTING FILAMENT CREATES 'CANYON OF FIRE', CME: A magnetic filament snaking down the middle of the solar disk erupted during the late hours of Aug. 15th. The eruption split the sun's atmosphere, hurling a CME toward Earth and creating a "canyon of fire," shown here in a movie recorded by the Solar Dynamics Observatory:



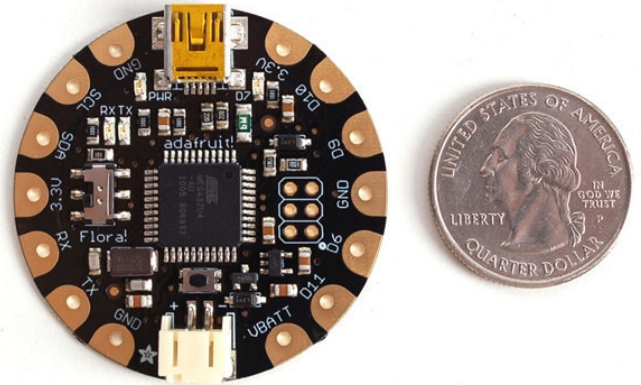
The glowing walls of the canyon trace the original channel where the filament was suspended by magnetic forces above the stellar surface. From end to end, the structure stretches more than 250,000 km--a REAL [Grand Canyon](#).

Of greater interest to us on Earth is the coronal mass ejection (CME) which billowed away from the blast site: [movie](#). Coronagraph images from the Solar and Heliospheric Observatory show that it is a '[halo CME](#).' In other words, it is heading straight for Earth. Minor geomagnetic storms are possible when the cloud arrives during the late hours of August 18th. High-latitude sky watchers should be alert for auroras. **Aurora alerts:** [text](#), [voice](#)

---

 WHAT IS THIS?
 

---



Electronics are getting very flexible in their capabilities, and this little item is very interesting.

We are not going to reveal what it is, Until next month.

---

 CLUB HAPPENINGS CONT.
 

---

Did you know we have a new Facebook Page?

Like Us on Facebook.

<https://www.facebook.com/GainesvilleAmateurRadioSociety>




---

 FROM SPACE
 

---

No space article this month.

---

 LET ME CHECK MY CALENDER
 

---

**“Due to scheduling issues, the September 2014 General Meeting of GARS has been moved forward one week to**

**Wednesday, September 10th, 2014 (i.e. 2nd Wednesday vice 3rd).**

---

 EDITOR'S NOTE
 

---

As you know I am a Life time member of ARRL, an ARRL technical representative and have done many other titles and responsibilities with the League. This year we have been working on incentives with the GARS club, to show appreciation to the members that go above and beyond. First was the decoding program, which I still have two PL259 in my car to distribute to the final two winners. I also brought up the challenge to the club to purchase items from the ARRL store via Susan K9PDL so that GARS would benefit from it also which the winner to that was Shannon K4GLM, an then we have an upcoming success story that will be happening this month. So stay tuned, you will have to go to the meeting to figure out what it might be. See You There.

Also due to it being my birthday in September and not being in the country the first part of the month, the GARSmouth might be a little late, it will be announced on Yahoo Groups when it is on the website.

---

 LINK'S OF THE MONTH
 

---

What are the callsigns expiring this month for our region?

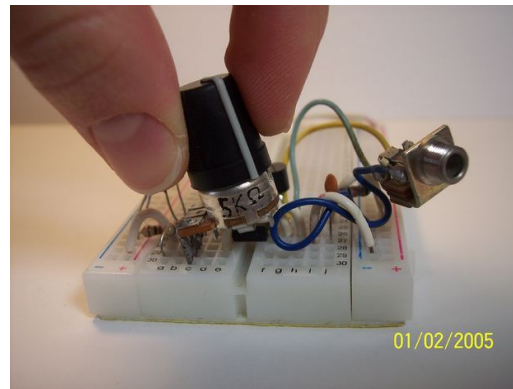
[http://qrz.com/i/expired/soon\\_4.txt](http://qrz.com/i/expired/soon_4.txt)

---

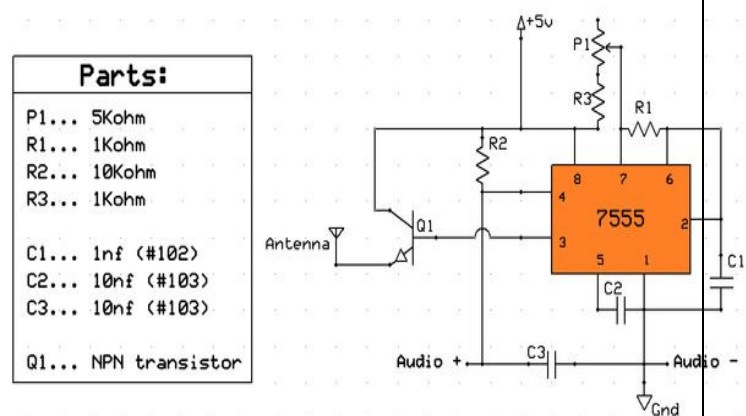
 TECHNICAL CORNER
 

---

So there are many of us that have old radios, Atwater Kents, Philco's, Collins, Motorola and others that are AM modulation only. I bet your trying to figure out how to make your radio work with those oldies audio files you have with all the modern players we have now. Well I decided to find something that will use USB power and small enough to build in a thumbdrive case. Found it.



Well that breadboard won't work will it? It's just an illustration of the circuit.



Lucky a 555 will fit on a USB format board. This circuit is 5v at B+, so the application will work. Now if you want to get fancy you could get a surface mounted version of this chip and add an audio amp chip with an arm processor to receive the audio directly from the phone or tablet device. I am working more on this designed but for now this will take a standard audio jack audio source and is very simple to build using your USB 5 volts to power it. There will be future work to be published about this, for all the boat anchor collectors.

73 Phil KE4PWE

Web link to this project designed by [jensenr30](#) is at the bottom of the paper. I am using this design to build my USB item that will be also listed in the website shortly. Possibly using this item for the development

<http://www.mouser.com/ProductDetail/Texas-Instruments/EZ430->

[F2013/?qs=3wuez3jz59JrMkK3bemqmA%3D%3D&gclid=CNfk\\_fzvmsACFVQV7AodYIAAZA](https://www.garsmouth.com/2013/?qs=3wuez3jz59JrMkK3bemqmA%3D%3D&gclid=CNfk_fzvmsACFVQV7AodYIAAZA)

---

### TRADE IT OR SHE WILL TRADE YOU

---

If you have anything that you would like to sell, trade, donate or give away, email [garseditor@gmail.com](mailto:garseditor@gmail.com) and we will put the item in here. Please understand that this will be restricted to only Amateur Radio related items only, no property, vehicles or other large items that would have radio attached, just use common sense.

#### Listing Post by KE4PWE:

The time comes when you have to relocate or have to clean out that shack for many reasons and while equipment always is able to be resold or repurposed, there are always parts and projects that are in boxes and even books for radio and electronics that you have to throw away or leave behind. I want all your broken radios, parts, projects and books. Don't throw them away, throw them at me, well not literally but you know what I mean. Email me or call.

[Ke4pwe@gmail.com](mailto:Ke4pwe@gmail.com) or 352-672-5674 please just leave a message. Restoration of radios from 1930s to 1970s is my favorite thing to do, and I hate seeing stuff throw away if it can be repurposed or reused to fix these classic radios again.

#### From Pete:



I have possession of the Yeasu FT 5100 and base antenna that is owned by Everett Scroggie Jr (ex

KI4CVI). It was advertised in the April issue of GARS Mouth.

Everett delivered to it me during Field Day, in talking with him, I feel that he would be willing to accept "Offers". Interested parties can either e-mail him at [scroggie36@fastmail.fm](mailto:scroggie36@fastmail.fm) or myself at [bugmeister@fireline.org](mailto:bugmeister@fireline.org)

2nd, and more interesting items are as follows:

ICOM HF Transceiver IC-738, with ICOM Electric Condenser Microphone

Versa Tuner II Model MFJ-948

ICOM power supply, PS-55

B&W-TVI filter, model FL-10/1500, with coax cable

Code Key-WM Nye Co.

Contact Jim Greene N4TAZ at [jg4taz@gmail.com](mailto:jg4taz@gmail.com)

Notes: Jim is a "senior citizen" living at Oak Hammock, he tells me it was in working order in 2003, when it was taken down when he moved to Oak Hammock. He and 2 others attended last Wed's GARS Meeting, and he tells me

With their help "it was all set up and powered up at Oak Hammock last week, and everything worked". I have no idea what any of it is worth.

73,

Pete

---

 CREDITS
 

---

ARRL, NASA, NPR, NBC, CBS, AMQRP, Washington Post, CQ Six, oldphotos.blogspot.com All photos are copy write under their respective owners and cannot be duplicated or distributed without express permission of their owners.

<http://thequietus.com/articles/11043-radio-programme-reviews> for the image below of the boys listening to the radio.

<http://www.repeater-builder.com/humor/bushnellhumor.html>

<http://www.arrl.org/code-practice-gst-source>

<http://www.instructables.com/id/Easy-AM-Transmitter/>

---

 REMINDERS
 

---

At the end of the newspaper I try to find something old and interesting to finish the paper out with. We have to remember where we came from in radio and look above to see where we are going.



Great website to visit if your into radio building.

<http://www.olderadiobuilder.com/>

*Thank you all for reading and see you next time.*

*This GARS Newsletter was brought to you in part by Carnation Condensed Milk, George Burns, and Gracie Allen.*

*Producers: Neutralized Triode*

*Editors: Phil KE4PWE and Lilly No Call Just Yet*

*Stage Hands: Cap Resistor*

*Mike Grip: "D" One O'Four*

*Set and Lighting Manager: Tom Foolery*

*Script and Controller: Frequent Followers Consortium*

*No Bits and Bytes were abused in the writing of this Newsletter and all zero's and one's are able to be recycled under the Clean Air Act. Hope you enjoyed it and we will see you next month. 73 and 88*